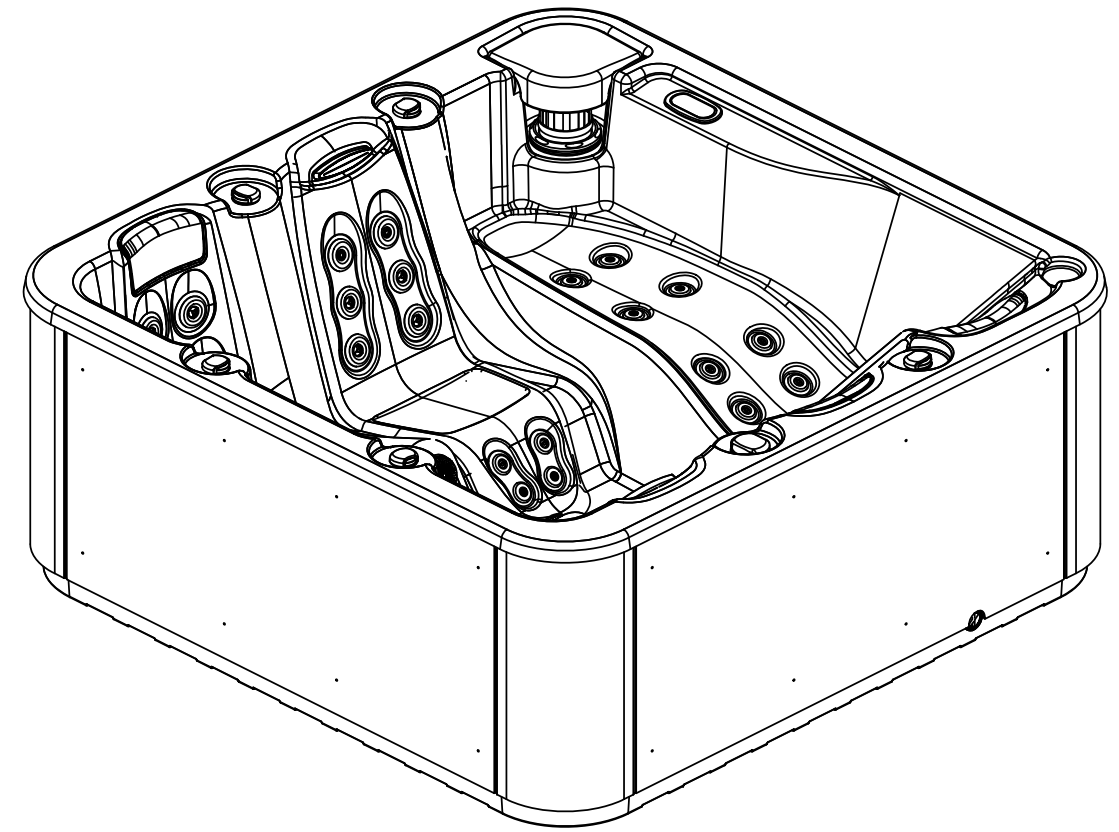


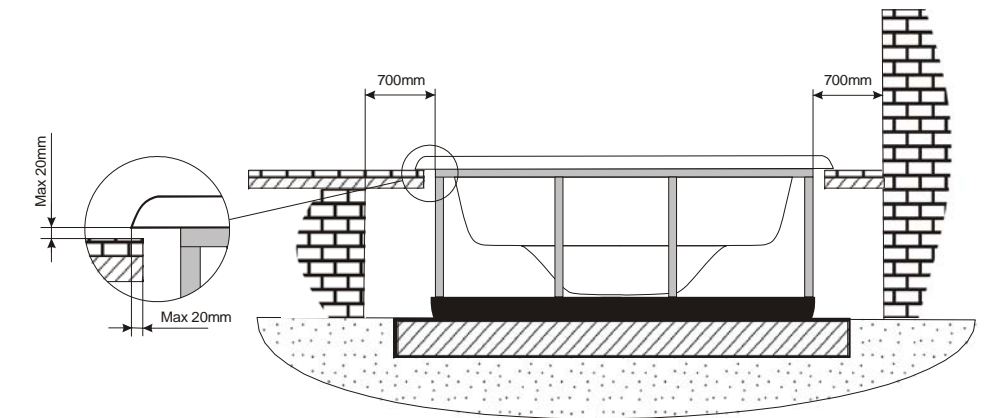
↑
ELECTRICAL BOARD CONNECTIONS ACCESS
↑



Inground option

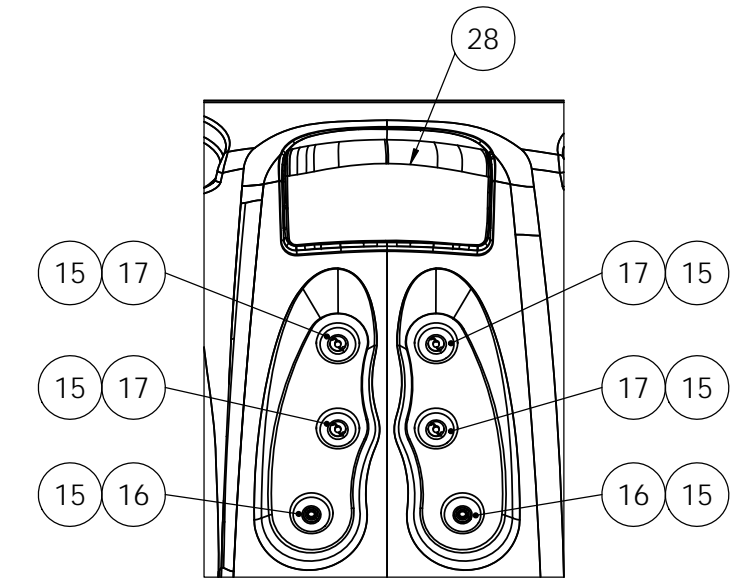
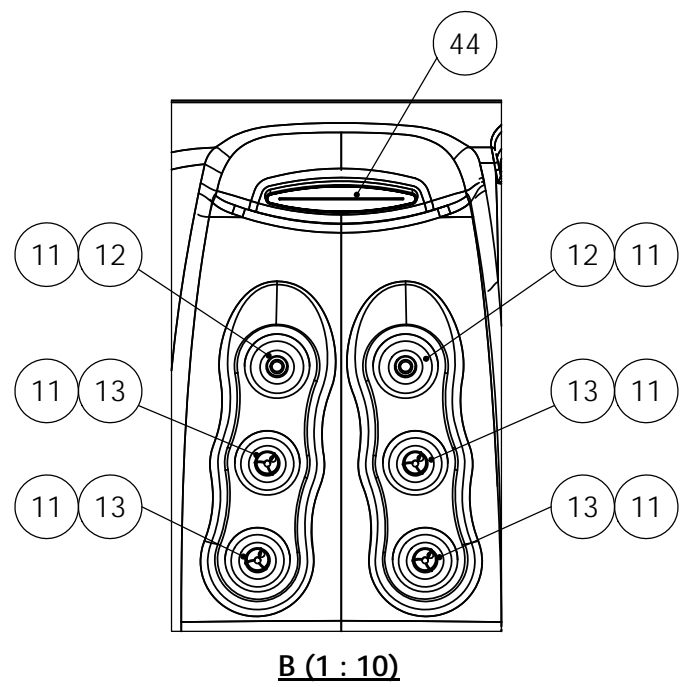
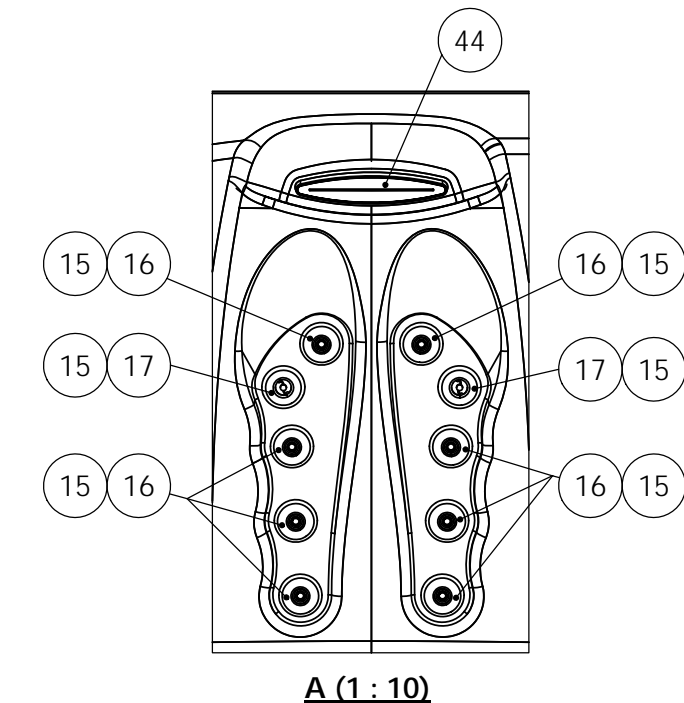
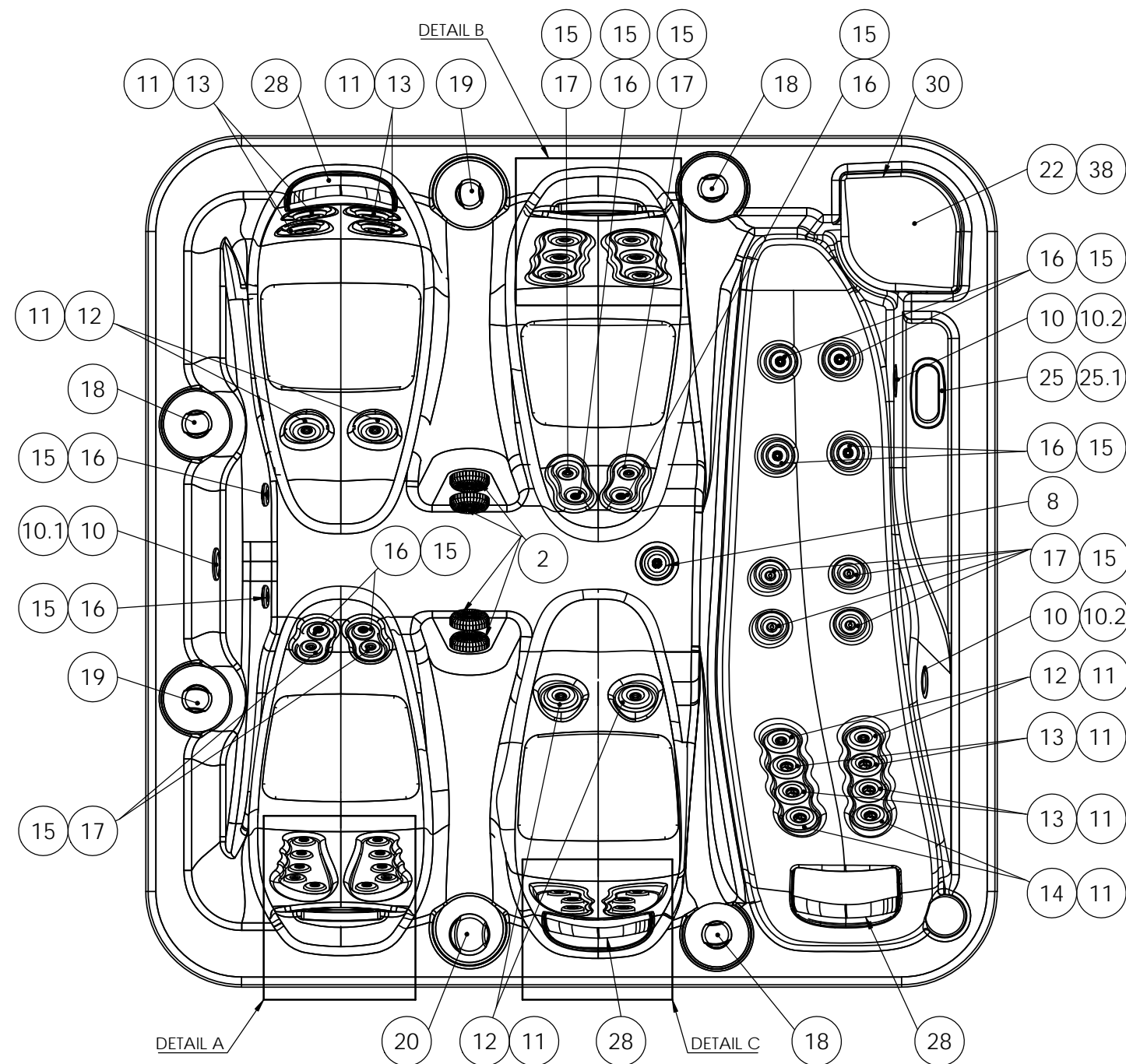
WARNING:

It's essential to keep a minimum clearance access of **700mm** all around.

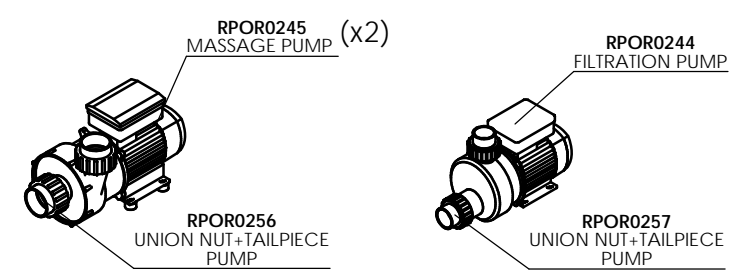


According to our policy of continuous improvement, dimensions, features or components of this product can be partially or completely changed without prior notice. It's Customer responsibility to verify that this is the last version of the drawing

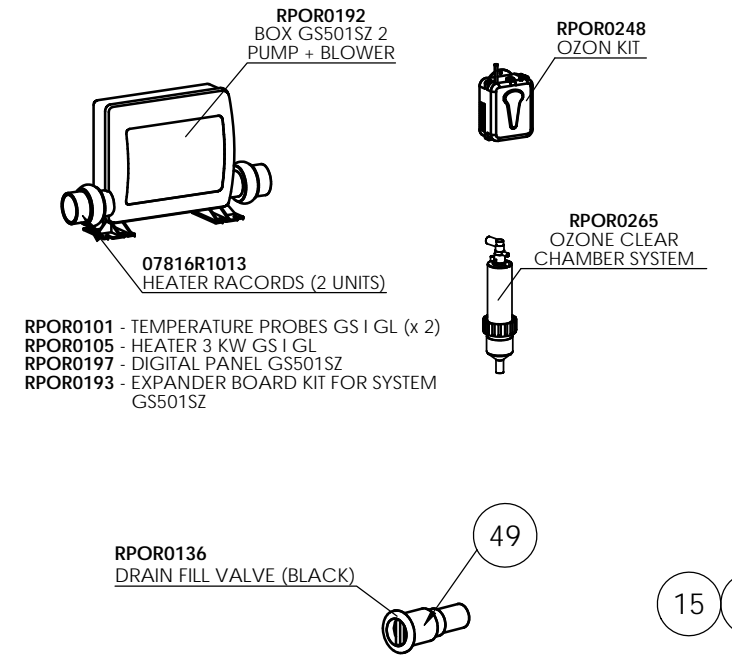
00	14/01/2015	I.Pozo	Creation			
Change No.	Date	Name	Modification			
Remarks				COMMERCIAL		
Dimensions in mm. General Tolerances +/- 10mm						
Drawn	14/01/2015	I.Pozo			Part Number 62318	Rev. 00
Checked		V.Saiz				
Scale	1:15	General Tolerance DIN 7168 ISO 2768g				
Sheet	1/2					



PUMPS SPARE CODES



HEATER AND DESINFECTION SPARE CODES



RPOR0101 - TEMPERATURE PROBES GS I GL (x 2)
 RPOR0105 - HEATER 3 KW GS I GL
 RPOR0197 - DIGITAL PANEL GS501SZ
 RPOR0193 - EXPANDER BOARD KIT FOR SYSTEM GS501SZ

ACCESSORIES			
Position Num.	Part Nº SPARE	Description SPARE	Quant.
2	RPOR0225	GREY SPA DRAIN 2" ADAPTOR SOCKET D.50	4
8	RPOR0003	GREY DRAIN SET - BODY+COVER+ASSEMBLY	1
10	RPOR0239	SPOTLIGHT LED SET RD	3
10.1	RPOR0240	MASTER LED LIGHT	1
10.2	RPOR0252	LED SLAVE LIGHT	2
11	RPOR0236	JET BODY SET RD 3"	22
12	RPOR0231	FRONTAL JET 3" STAINLESS STEEL DIRECTIONAL	8
13	RPOR0232	FRONTAL JET 3" STAINLESS STEEL 1 JET ROTO	12
14	RPOR0233	FRONTAL JET 3" STAINLESS STEEL TWIN ROTO	2
15	RPOR0235	JET BODY SET RD 2"	34
16	RPOR0230	FRONTAL JET 2" STAINLESS STEEL DIRECTIONAL	20
17	RPOR0260	JET TWIN ROTO 2" INOX	14
18	RPOR0261	VENTURY CONTROLLER SS	3
19	RPOR0263	VALVE ON-OFF 1" SS	2
20	RPOR0262	3 WAYS SS VALVE 2"	1
22	RPOR0238	SKIMERFILTER RD LOW PROFILE	1
25	RPOR0241	CONTROL PANEL VL600S	1
25.1	RPOR0273	COVER DIGITAL PANEL VL600 2 JETS PUMP	1
28	RPOR0032	SMALL HEADREST GREY	3
30	RPOR0156	SKIMFILTER COVER	1
38	RPOR0247	FILTER CARTRIDGE SKIMFILTER RD	1
44	RPOR0287	SS 7" WATERFALL	2
49	RPOR0136	DRAIN FILL VALVE (BLACK)	1

According to our policy of continuous improvement, dimensions, features or components of this product can be partially or completely changed without prior notice. It's Customer responsibility to verify that this is the last version of the drawing

00	14/01/2015	I.Pozo	Creation
Change No.	Date	Name	Modification
Remarks			SPARE PARTS DRAWING
Dimensions in mm. General Tolerances +/- 10mm			
Drawn	14/01/2015	I.Pozo	Part Number 62318
Checked		V.Saiz	
Scale 1:15	General Tolerance DIN 7168 ISO 2768g		First Angle Projection
Sheet 2/2			

